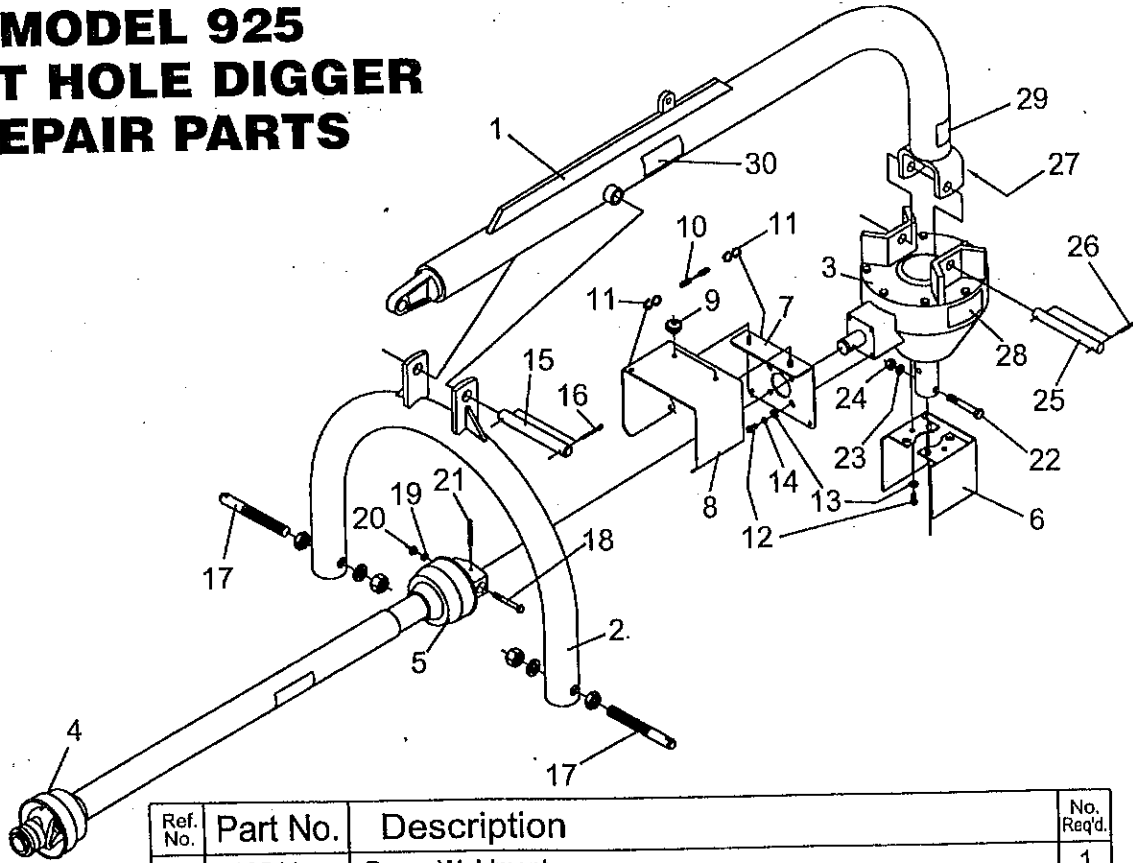
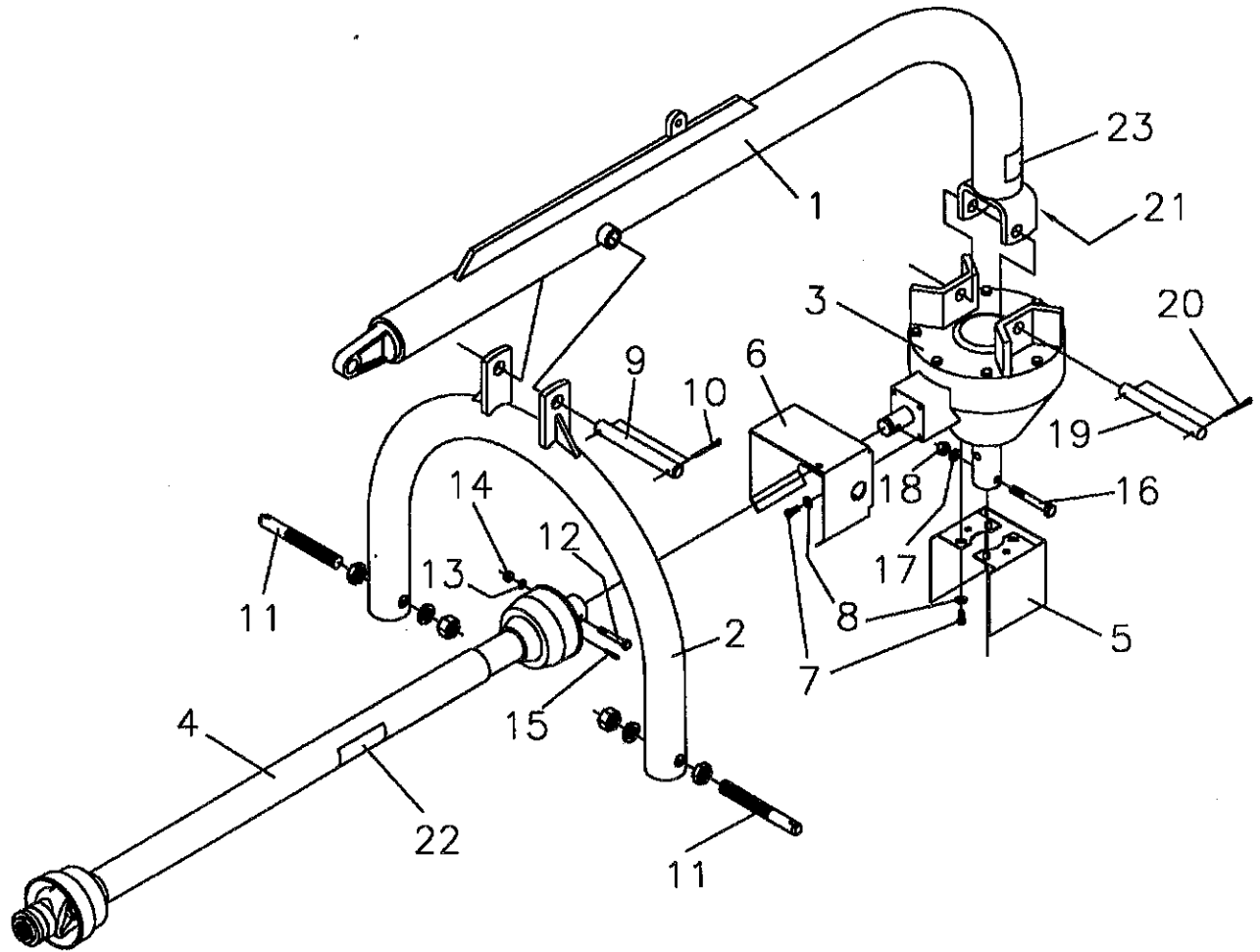


MODEL 925 POST HOLE DIGGER REPAIR PARTS



Ref. No.	Part No.	Description	No. Req'd.
1	709541	Boom Weldment	1
2	709010	Yoke Weldment	1
3	709550	Gearbox	1
	706420	PTO Shaft Complete	1
4	706424	1/2 PTO (Tractor End)	1
5	706425	1/2 PTO (Implement End)	1
6	706092	Shield, Output	1
7	706437	Input Guard Back Weldment	1
8	706435	Input Guard	1
9	2504220	Knob, Threaded	2
10	706438	Chain, Safety (3 Links)	1
11	2504016	S-Hook	2
12	2503094	Bolt 5/16"-18NC x 3/4" Hex Head Gr.2	6
13	2501012	Washer 5/16" Flat	6
14	2502011	Washer 5/16" Springlock	4
15	830309	Lift Pin (Ø1 x 8" Lg.)	1
16	2504068	Cotter Pin 1/4" x 1 3/4"	2
17	590071	Lift Pin w/Hardware (AK-479)	2
18	2503209	Bolt 3/8"-16NC x 3" Hex Head Gr.2	1
19	2502008	Washer 3/8" Springlock	1
20	2500004	Nut 3/8"-16NC Full Hex	1
21	2504042	Roll Pin 1/4" x 2 1/4"	1
22	2503109	Bolt 1/2"-13NC x 3 1/2" Hex Head Gr.2	2
23	2502002	Washer 1/2" Springlock	2
24	2500003	Nut 1/2"-13NC Full Hex	2
25	706096	Hanger Shaft (Ø7/8" x 7 3/4")	1
26	706097	Cotter Pin 3/16" x 2"	2
27	101015	Safety Sign - PHD Instructions	1
28	101188	Sign - Gearbox Notice	1
29	101130	Safety Sign - Danger (Rotating Parts)	1
30	101032	Safety Sign - Danger (Entanglement)	1

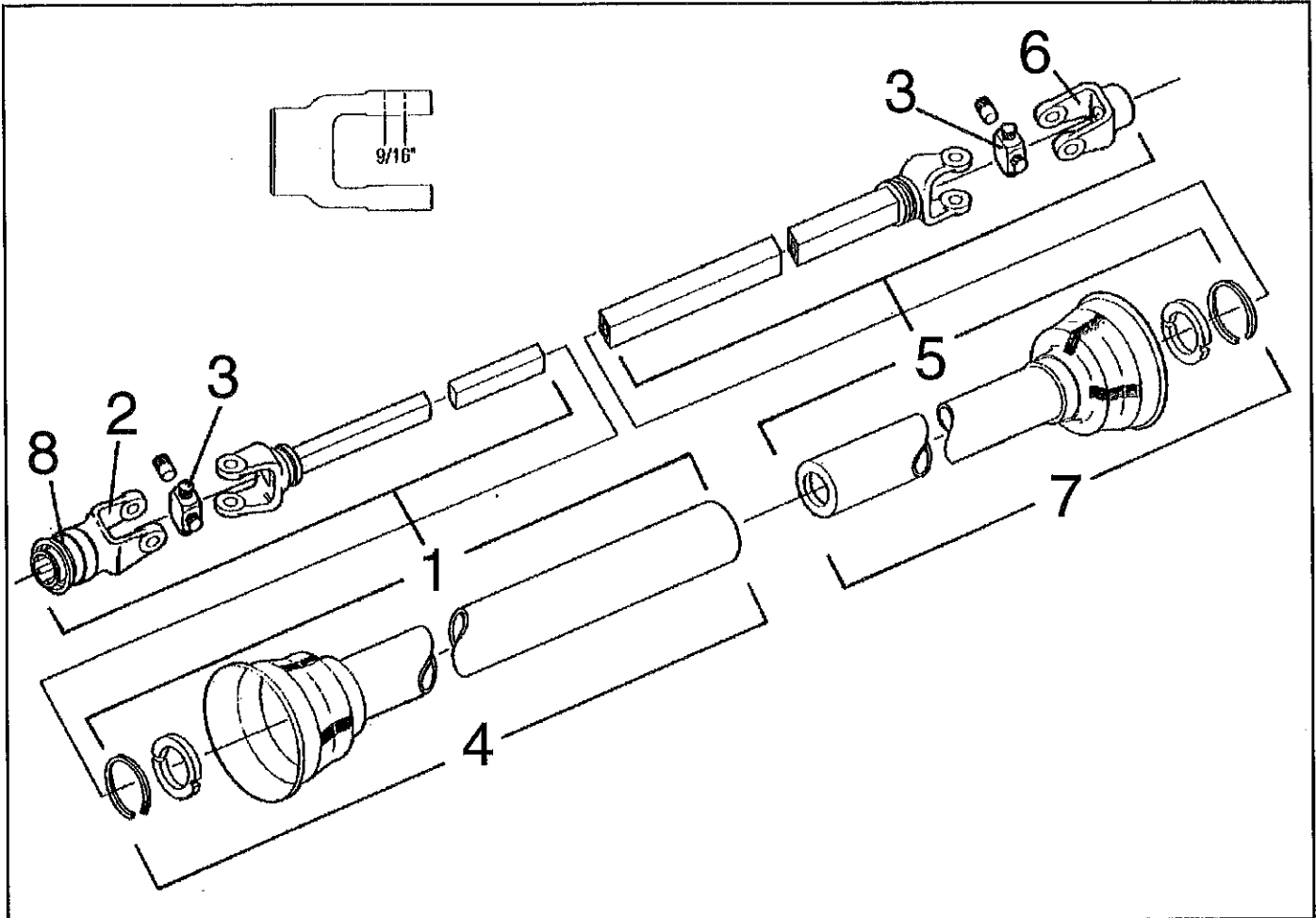
MODEL 925 POST HOLE DIGGER REPAIR PARTS



REF. NO.	PART NO.	DESCRIPTION	NO. REQ.
1	709541	Boom Weldment	1
2	709010	Yoke Weldment	1
3	709550	Gearbox (ITG)	1
4	706050	PTO Shaft Complete	1
NS	706051	1/2 PTO (Tractor End)	1
NS	706052	1/2 PTO (Implement End)	1
NS	706058	Yoke 1 1/4" Dia. (Smooth Bore) Imp. End	1
NS	706059	Yoke 1 3/8" (6B Spline) Tractor End	1
NS	706053	PTO Cross Repair Kit	Var.
NS	706064	Plastic Shield Assembly (Tractor End)	1
NS	706063	Plastic Shield Assembly (Implement End)	1
NS	706061	Spring - Lock Repair Kit	1
5	706092	Output Shield	1
6	170918	Input Shield	1
7	2503094	Bolt 3/8" - 18 NC x 3/4" Hex Head	8
8	2501012	Washer 5/16" Flat	8

REF. NO.	PART NO.	DESCRIPTION	NO. REQ.
9	830309	Lift Pin (ø 1" x 8" Lg.)	1
10	2504068	Cotter Pin 1/4" x 1 3/4"	2
11	590071	Draw Pin (AK-479) with hardware	2
12	2503039	Bolt 3/8" - 16 NC x 2 1/2" Hex Head	1
13	2502008	Washer 3/8" Springlock	1
14	2500004	Nut 3/8" - 16 NC Full Hex	1
15	2504011	Roll Pin 3/16" x 1 1/4"	1
16	2503109	Bolt 1/2" - 13 NC x 3 1/2" Hex Head	2
17	2502002	Washer 1/2" Springlock	2
18	2500003	Nut 1/2" - 13 NC Full Hex	2
19	706096	Hanger Shaft	1
20	706097	Cotter Pin 3/16" x 2"	1
21	101015	Safety Sign - Instruction	1
22	101081	Safety Sign - Driveline Entanglement	1
23	101130	Safety Sign - Danger (Rotating Parts)	1

MODEL 925 POST HOLE DIGGER PTO SHAFT (Shear Bolt Protected) REPAIR PARTS



! DANGER

**ROTATING DRIVELINE
CONTACT CAN CAUSE DEATH
KEEP AWAY!**

DO NOT OPERATE WITHOUT —

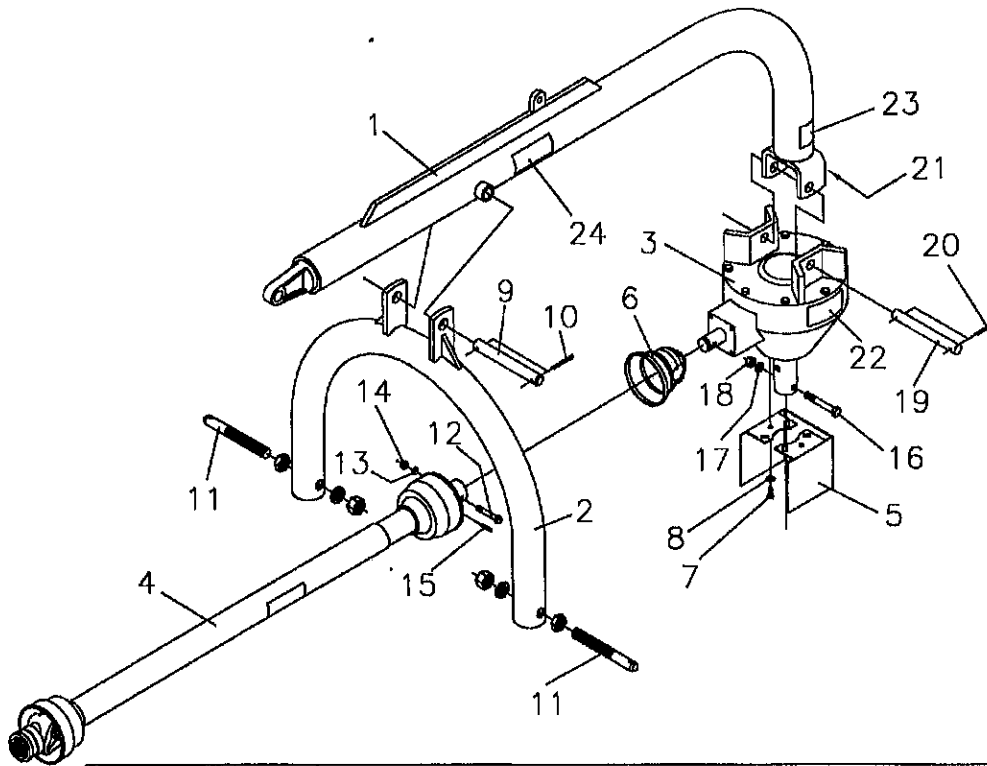
- ALL DRIVELINE, TRACTOR AND EQUIPMENT SHIELDS IN PLACE
- DRIVELINES SECURELY ATTACHED AT BOTH ENDS
- DRIVELINE SHIELDS THAT TURN FREELY ON DRIVELINE

Part No. 101081

REF. NO.	PART NO.	DESCRIPTION	NO. REQ.
	706050	PTO Shaft, Complete	1
1	706051	½ PTO (Tractor End)	1
2	706059	Spring-Lock Yoke Assembly (Tractor End)	1
3	706053	W Cross & Bearing Kit	2
4	706064	Outer Guard (Tractor End)	1
5	706052	½ PTO (Implement End)	1
6	706058	Shear Bolt Yoke Assembly (Imp. End)	1
7	706063	Inner Guard (Implement End)	1
8	706061	Spring-Lock Repair Kit	1

Shearbolt
2503039

MODEL 925 POST HOLE DIGGER REPAIR PARTS



REF NO.	PART NO.	DESCRIPTION	NO. REQ.
1	709541	Boom Weldment	1
2	709010	Yoke Weldment	1
3	709550	Gearbox (ITG)	1
4	706050	PTO Shaft Complete	1
NS	706051	1/2 PTO (Tractor End)	1
NS	706052	1/2 PTO (Implement End)	1
NS	706058	Yoke 1 1/4" Dia.(Smooth Bore)Implement End	1
NS	706059	Yoke 1 3/8"(6B Spline)Tractor End	1
NS	706053	PTO Cross Repair Kit	Var.
NS	706064	Plastic Shield Assembly (Tractor End)	1
NS	706063	Plastic Shield Assembly (Implement End)	1
NS	706061	Spring-Lock Repair Kit	1
5	706092	Output Shield	1
6	706165	Input Shield	1
7	2503094	Bolt 5/16"-18NC x 3/4" Hex Head	2
8	2501012	Washer 5/16" Flat	2
9	830309	Lift Pin (ø1" x 8" Lg.)	1
10	2504068	Cotter Pin 1/4" x 1 3/4"	2
11	590071	Draw Pin (AK-479) w/hardware	2
12	2503039	Bolt 3/8"-16NC x 2 1/2" Hex Head	1
13	2502008	Washer 3/8" Springlock	1
14	2500004	Nut 3/8"-16NC Full Hex	1
15	2504011	Roll Pin 3/16" x 1-1/4"	1
16	2503109	Bolt 1/2"-13NC x 3 1/2" Hex Head	2
17	2502002	Washer 1/2" Springlock	2
18	2500003	Nut 1/2"-13NC Full Hex	2
19	706096	Hanger Shaft	1
20	706097	Cotter Pin 3/16" x 2"	1
21	101015	Safety Sign - Instruction	1
22	101188	Safety Sign - Gearbox Notice	1
23	101130	Safety Sign - Danger (Rotating Parts)	1
23	101032	Safety Sign - Danger (Entanglement)	1